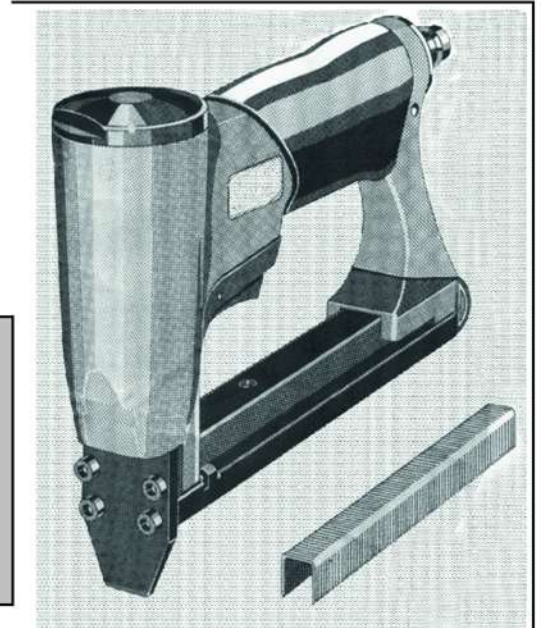


Operator's Manual

Model No.: 8016/420

Stapler for 21Ga. Fine-Wire Staples



NOTE: Please read and fully understand the instructions in this manual before operating the pneumatic tool. Carefully read through this OPERATOR'S MANUAL to ensure efficient, safe operation. It is recommended that the manual be kept readily available as an important reference when using this tool.

Safety Information

WARNING:

BEFORE USING THE TOOL, READ CAREFULLY AND UNDERSTAND THE FOLLOWING SAFETY INSTRUCTIONS. FAILURE TO FOLLOW WARNING COULD RESULT IN DEATH OR SERIOUS INJURY.



1. WEAR SAFETY GLASSES OR GOGGLES.

Danger to the eyes always exists due to the possibility of dust being blown up by the exhausted air or of a fastener flying up due to the improper handling of the tool. For these reasons, safety glasses or goggles shall always be worn when operating the tool. The employer and/or user must ensure that proper eye protection is worn. Eye protection equipment must conform to the requirements of the American National Standards Institute, ANSI Z87.1 (Council Directive 89/686/EEC of 21 DEC.1989) and provide both frontal and side protection.

The employer is responsible to enforce the use of eye protection equipment by the tool operator and all other personnel in the work area.

NOTE: Non-side shielded spectacles and face shields alone do not provide adequate protection.

2. DO NOT USE ANY POWER SOURCE EXCEPT AN AIR COMPRESSOR.

The tool is designed to operate on compressed air. Do not operate the tool on any other high pressure gas, combustible gases (e.g., oxygen, acetylene, etc) since there is the danger of an explosion. For this reason, absolutely so not use anything other than an air compressor to operate the tool.

3. OPERATE WITHIN THE PROPER AIR PRESSURE RANGE.

The tool is designed to operate within an air pressure range of 70 p.s.i. to 100 p.s.i. (5 to 7 bar.). The pressure should be adjusted to the type of the work being fastened. The tool shall never be operated when the operating pressure exceeds 120 p.s.i. (8 bar.). Never connect the tool to air pressure which potentially exceeds 200 p.s.i. (14 bar) as the tool can burst.

4. DO NOT OPERATE THE TOOL NEAR A FLAMMABLE SUBSTANCE.

Never operate the tool near a flammable substance (e.g., thinner, gasoline, etc). Volatile fumes from these substances could be drawn into the compressor and compressed together with the air and this could result in an explosion.

5. DO NOT USE A WRONG FITTING.

The connector on the tool must not hold pressure when air supply is disconnected. If a wrong fitting is used, the tool can remain charged with air after disconnecting and thus will be able to drive a fastener even after the air line is disconnected, possibly causing injury.

6. DO NOT TOUCH THE TRIGGER UNLESS YOU INTEND TO DRIVER A FASTENER.

Whenever the air supply is connected to the tool, never touch the trigger unless you intend to drive a fastener into the work. It is dangerous to walk around carrying the tool with the trigger pulled, and this and similar actions should be avoided.

7. NEVER POINT THE DISCHARGE OUTLET TOWARD YOURSELF AND PERSONNEL.

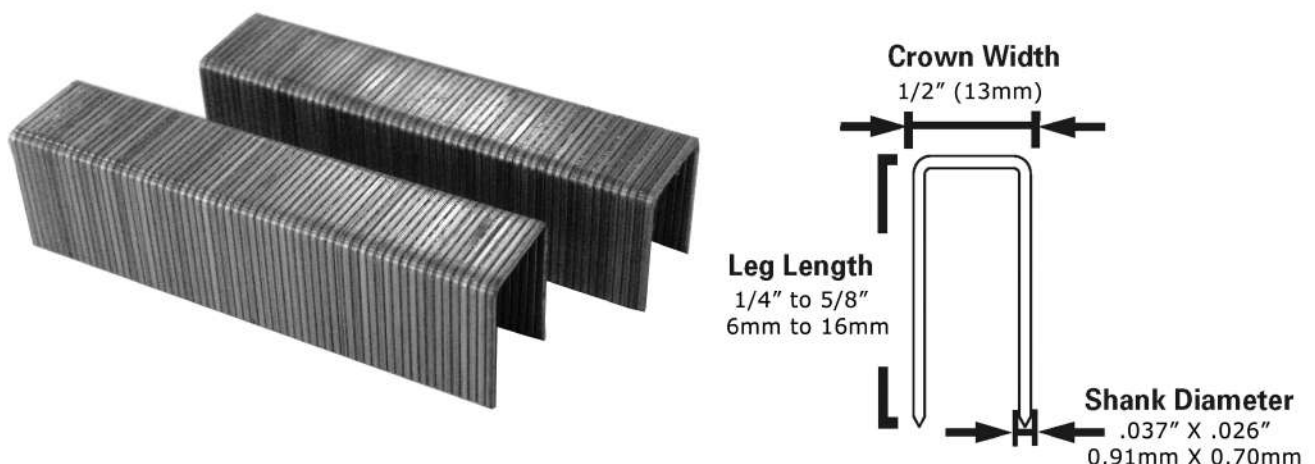
If the discharge outlet is pointed toward people, serious accidents may be caused when misfiring. Be sure the discharge outlet is not pointed toward people when connecting and disconnecting the hose. Loading and not loading the fasteners or similar operations.

8. KEEP HANDS AND BODY AWAY FROM THE DISCHARGE OUTLET

When loading and using the tool, never place a hand or any part of body in fastener discharge area of the tool. It is very dangerous to hit the hands or body by mistake.

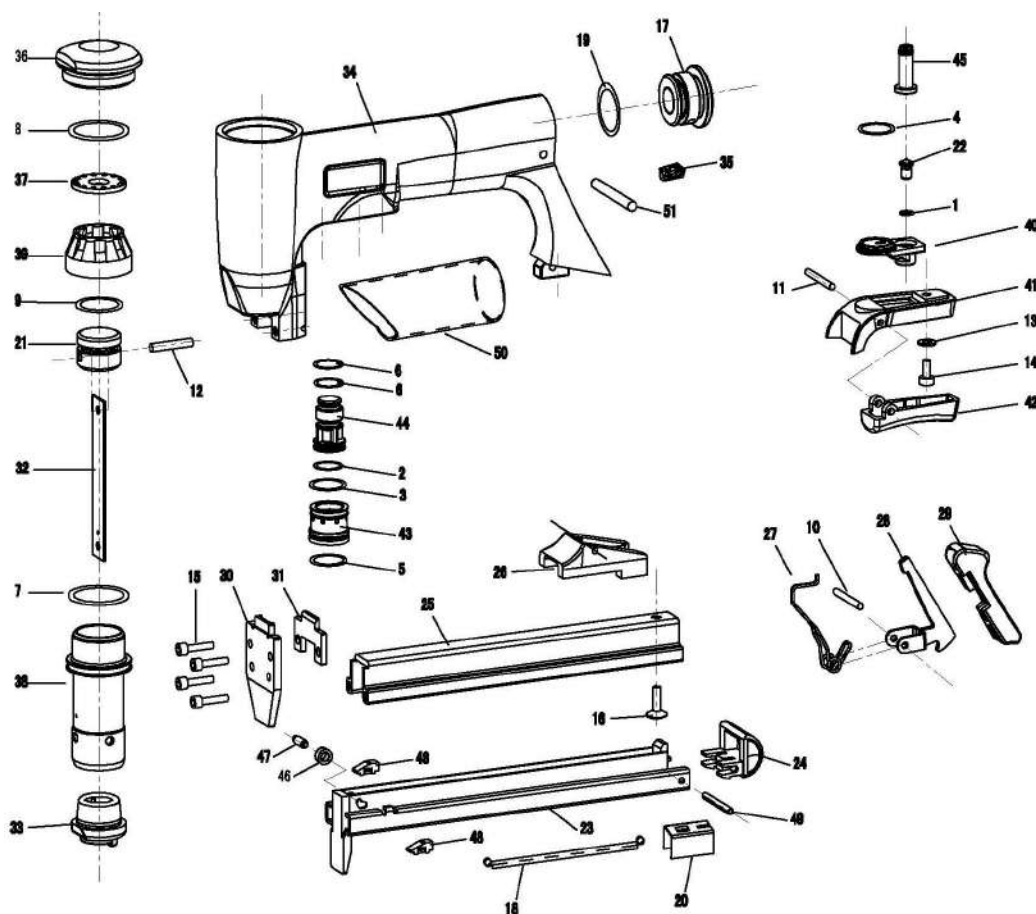
Staple Specification

WARNING: Be sure to use only the genuine nails recommended for the this nailer. The use of any other nails can result in tool malfunction, leading to serious injuries.



Parts list and Schematic

NO.	CODE	Description	NO.	CODE	Description
1	511120	O-RING 2.5X1.8	27	621040	LEG SPRING
2	511100	O-RING 12.2X1.75	28	322700	LOCK PAWL
3	511060	O-RING 15.5X1.75	29	421510	COVER
4	511110	O-RING 16.4X1.8	30	210840	FRONT COVER
5	511080	O-RING 16X1.25	31	322660	BACK COVER
6	511090	O-RING 8X2.6	32	322650	DRIVER BLADE
7	511050	O-RING 27.5X2.6	33	410620	BUMPER
8	511040	O-RING 31.5X2.65	34	110440	BODY
9	510390	O-RING 17X2.65	35	322720	SILENCER
10	322830	PIN	36	322640	CAP
11	640290	ROLL PIN 3X24	37	410610	DAMPER
12	640310	ROLL PIN 4X19.5	38	310440	CYLINDER
13	630300	WASHER	39	421420	CYLINDER SPACER
14	610490	BOLT M4X12	40	421450	VALVE GASKET
15	610500	BOLT M4X16	41	421460	VALVE CAP
16	610720	BOLT M4X14	42	421470	TRIGGER
17	310470	END CAP	43	310450	VALVE CYLINDER
18	621030	TENSION SPRING	44	421440	VALVE SHAFT
19	511130	O-RING 19.5X3	45	410640	INTERMEDIATE VALVE
20	322690	FEEDER BAR	46	322750	PULLEY
21	421430	PISTON	47	322670	PIN
22	421480	VALVE PIN	48	421490	STOP
23	322680	BACK NOSE ASSEMBLY	49	640170	ROLL PIN 3X28
24	421500	END PIECE	50	410630	RUBBER HANDLE
25	310460	COVER	51	640320	STRAIGHT PIN B4X29
26	421520	COVER	P1.	D322651	DRIVER UNIT



Maintenance and Inspection

Read the section title **SAFETY**.

SERVICE AND REPAIRS

All quality tools will eventually require servicing or replacement of parts due to wear from normal use. It is recommended that these operations should be performed by a professional technician.

NOTE: The information contained in this Manual is designed to assist you in the safe maintenance of the nailer. Some illustrations in this Manual may show details or attachments that are different from those on your nailer.

WARNING: Disconnect air hose and remove nails from nailer when:

- Doing maintenance and inspection
- Cleaning a jam

Inspecting the magazine

1. DISCONNECT AIR HOSE.
2. Clean the magazine. Remove dust which may have accumulated in the magazine.
3. Lubricate the nailer rail with nailer lubricant.

Clearing a jam

Remove a jammed nail in the following order:

1. DISCONNECT AIR HOSE.
2. Remove all nails.
3. Remove the jammed nail with a slotted head screwdriver.
4. In case of frequent jams, contact an authorized service center.

A qualified person should perform repair and maintenance

GENERAL WARRANTY CONDITIONS

Warranty will be honored, only if:

1. Clean, dry, regulated compressed air has been used at air pressure not exceeding the maximum indicated on the tool casting;
2. No evidence of abuse, abnormal conditions, accident, neglect, misuse or improper modifications or storage of the product exists;
3. No deviations from following recommended operating instructions, specifications, and maintenance schedules exist. (Read Operator Manual for use, specifications and maintenance instructions).